

1781-OAYS



Product Categories: [Slims](#)

Product Attributes

- Nominal Field Voltage: 120
- Nominal Logic Voltage: 15V
- Field Voltage Range: 12-140 V
- Part Type: Output
- Industry Model: OAC15

- Max Input Current (mA): 2
 - Drop out Current (mA): 10
-

Features

The 1781-Slim package offers the following advantages

Matches the industry de facto standard pin-out footprint

Smaller footprint allow 30% space savings over Classic

Lower height convenient for mounting

Includes hold-down screw

Compatible with WRC's line of SmartMux and data acquisition
cards

UL and CE marks standard

5, 15 and 24-volt logic available

Proven reliable circuitry

Application Notes

Do not install or remove modules in live (electrically hot) circuits. High voltage may be present.

Input connections are non-polarized.

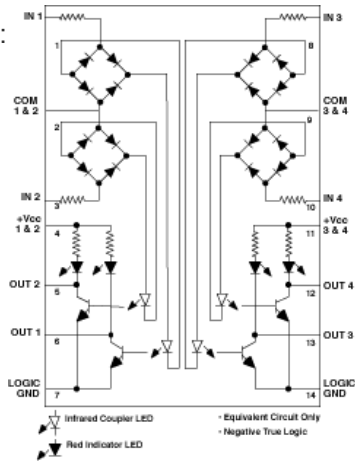
General Info

1781-Series of Slim input and output modules and solid-state relays provide compatibility with a variety of manufacturers' miniature modules. Slim modules have a hold-down screw, and can be used in mounting boards where

vibration and shock are not of concern.

System Flow

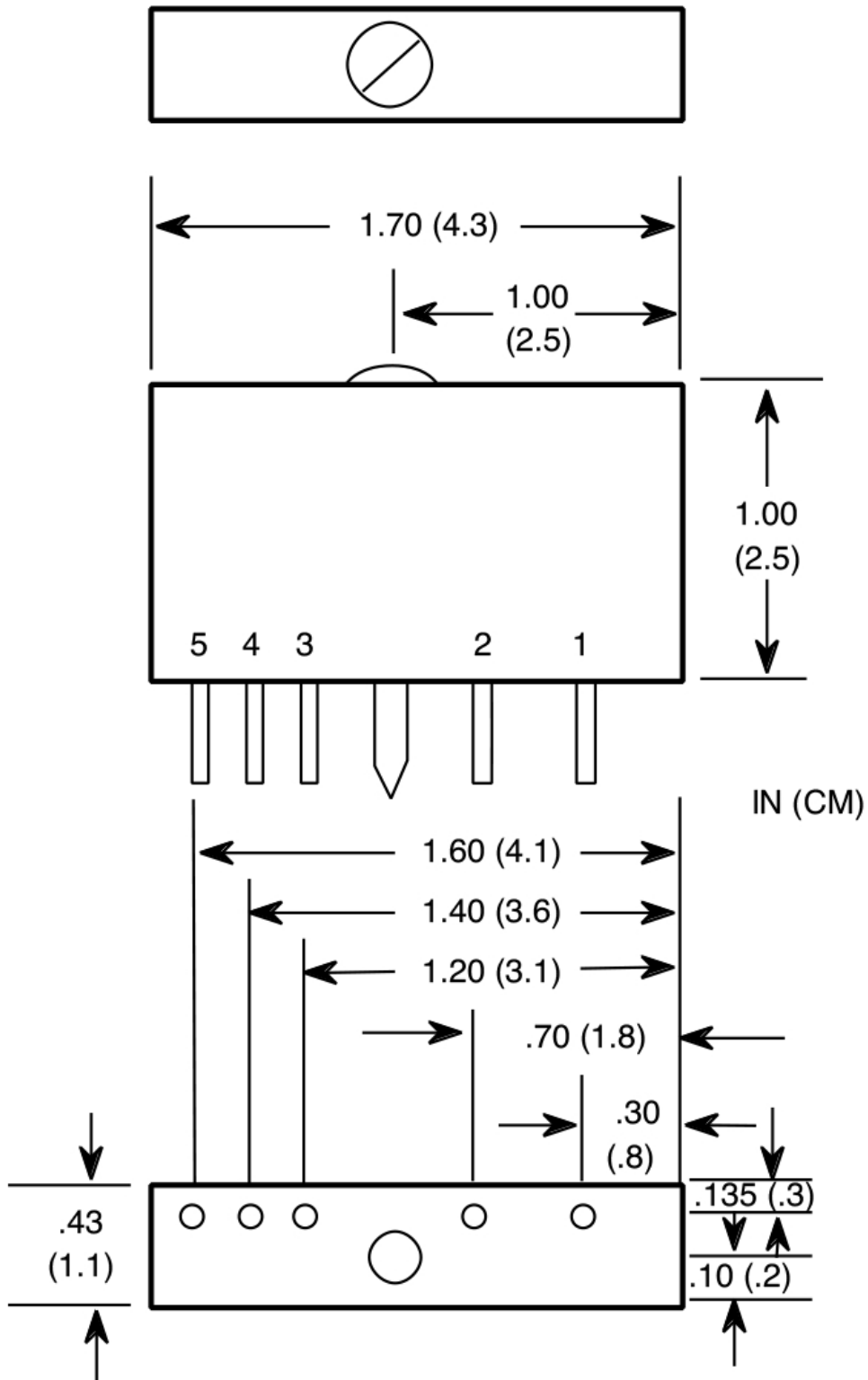
System Flow Chart:



Schematics

Schematics Chart:

Slim input modules



Slim output modules

